


MANUAL

SCRATCHING POST

ACHILLE

SIZE: **40x40x49**cm




1X  40*40*2cm A

1X  32*32*7cm B


1X  30*30cm C

1X  D30*26cm D

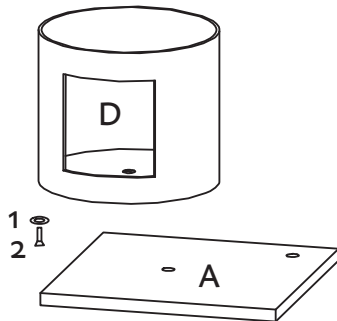
1X  D7.5*40cm E

2X  D27mm (1)

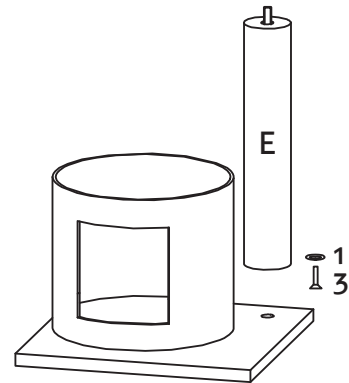
1X  D8*30mm (2)

1X  D8*50mm (3)

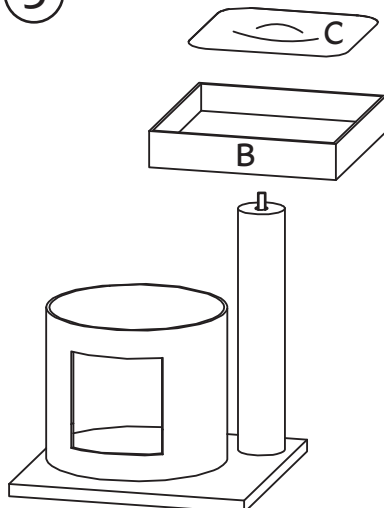
①



②



③



④

